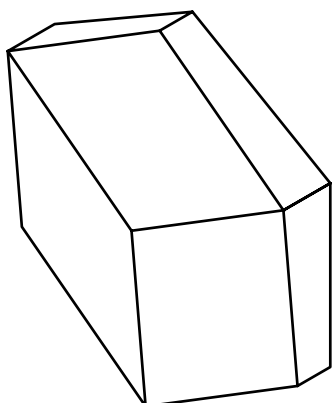
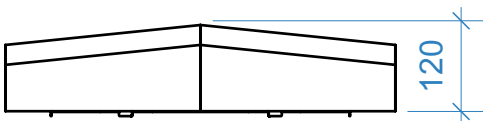
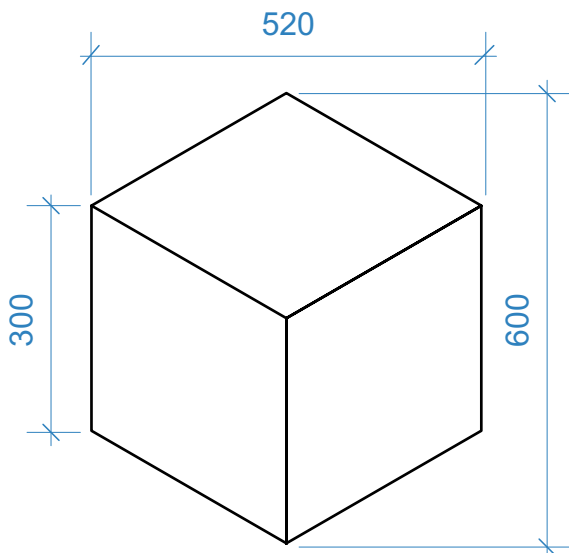
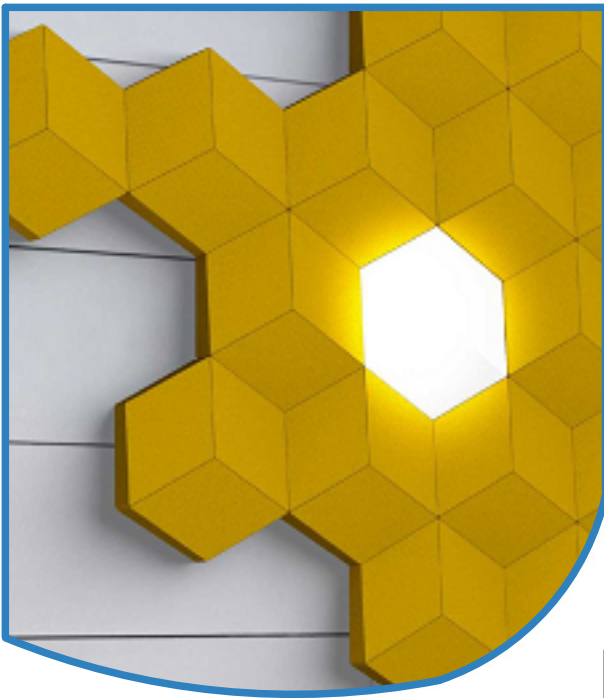


# TECHNICAL DATA SHEET

## MODEL

# ESCHER



## TYPE AND FINISH

Size	Type	Finish
600x520x120 mm	Acoustic wall model with separate light unit	Flock

<b>Base material</b>	Sound absorption foam or Polycarbonate
<b>Flock colour</b>	See colour chart
<b>Light source</b>	Talex module CLE Quadrant Lens 350 mA, 2540 lumen, 22 Watt
<b>Colour temperature</b>	3000 or 4000 K
<b>Options</b>	Standard DALI and switch dimmable with integrated corridor function

## Sound absorption foam

NRC 0,9

## Absorption area RT60 frequency 250-2000Hz

0,3 m2 sabin per unit